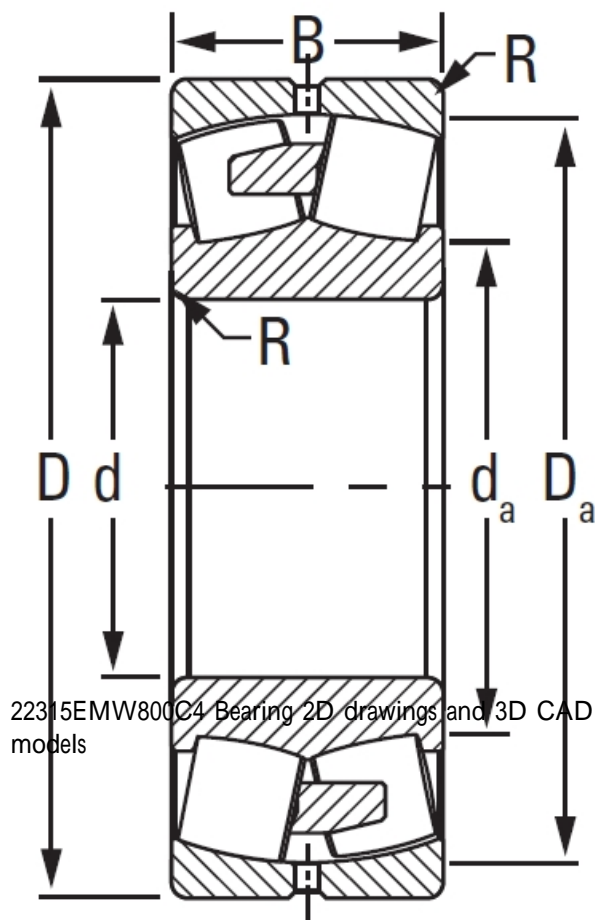




Precision BEARING-SINGAPORE (PTE)LTD.

TIMKEN 22315EMW800C4 Bearing

Bearing No. 22315EMW800C4



22315EMW800C4 Bearing 2D drawings and 3D CAD models

Design Unit	METRIC
Bearing Weight	5.4 Kg
Cage Type	EM
UPC Code	087796026513
Cage Material	Brass
Superseded Part	22315YMW800C4
d	75 mm
D	159.993 mm
B - Inner Ring Width	55 mm
B - Outer Ring Width	55.000 mm
R - Inner Ring To Clear Radius ¹	2.0 mm
r - Outer Ring To Clear Radius ²	2.0 mm
da - Inner Ring Backing Diameter	97.000 mm
Da - Outer Ring Backing Diameter	144.000 mm
C0 - Static Radial Rating	478000 N
C1(2) - Dynamic Radial Rating (Two-Rows)	450000 N
e - ISO Factor ³	0.33
Y0 - ISO Factor ⁴	2.04
Y1 - ISO Factor ⁵	3.04
Y2 - ISO Factor ⁶	2
Reference Thermal Speed Rating (Grease)	3400
Reference Thermal Speed	4000



Precision BEARING-SINGAPORE (PTE)LTD.

Rating (Oil) ⁷	
Cg - Geometry Factor ⁸	0.0614